



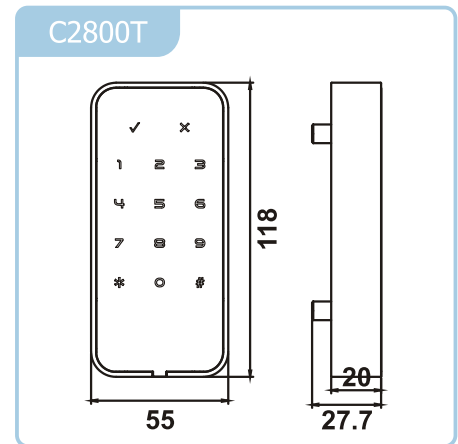
Be-Tech Cyber II Touch (C2800T) is the latest cabinet lock that uses flat and fashionable design with stainless steel material.

Be-Tech Cyber II Touch series is easy to fit and it also provides high security and comfort for locker and cabinet instead of expensive maintenance of mechanical keys.

Technical Specification

Power:	4 x 1.5 AA Batteries
Operations:	30,000 Openings
Low battery:	When lock signals "Low Battery" there will be 60 additional openings
Memory:	Non-Volatile memory will be retained when changing batteries
Battery Override:	A battery case can be plug in external socket
Material:	Stainless Steel
Door thickness:	12mm (0.47") up to 22mm (0.87")
Temperature range:	-10~60°C (14~140°F)
Functions:	Private or Public
Dimension(H x W x D):	Front body: 118 x 55 x 27.7mm
Finish:	Silver, Matte Black
Accessories available:	Override battery case
User codes :	Cyber II Touch has 4 code levels: Owner code, Master code, Service code, Permanent code & Temporary code.
Net Weight:	370g
Gross Weight:	415g(1 lock/box)
Packing:	10 boxes / ctn.(20 locks/ctn)
Carton Size:	425mm x 265mm x 175mm

Dimensions:



User Codes

Available to create master codes, to manage all lockers in the property.

Owner code:	1 group
Master code:	1 group
Service code:	1 group
Permanent code:	10 groups
Temporary code:	1 group

Functions:

Private Function

This is the most common function and used where the same code will be repeatedly used, e.g a pupil in a school or an employee with the same locker in the workplace.

Public Function

The locker lock operates with a single user code. The guest enters a personal code with 4~9 digit to locks the lock. The same code is entered to open the lock before being erased and ready for next user. This function is used for short term, multi occupancy applications, e.g a locker in a gym center.

Parts & Installation:

