



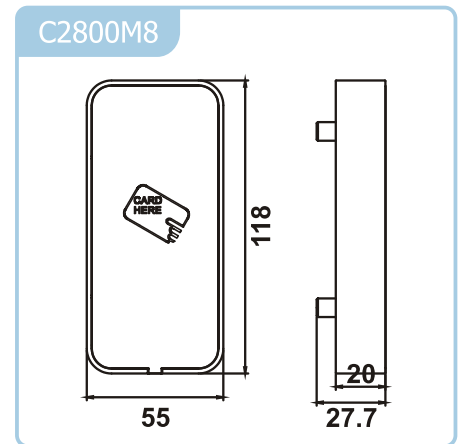
Be-Tech Cyber II RFID (C2800M8) offers the latest RFID technology with high security and fashionable design.

Be-Tech Cyber II RFID provides a new level of security for both shared and assigned use lockers. Convenient for users and management.

Technical Specification

Power:	4 x 1.5 AA Batteries
Operations:	30,000 Openings
Low battery:	When lock signals "Low Battery" there will be 60 additional openings
RFID frequency:	13.56MHz
Reading distance:	10 to 25mm (0.39" to 0.98")
Material:	Stainless Steel
Door thickness:	12mm (0.47") up to 22mm (0.87")
Temperature range:	-10~55°C (14~131°F)
Dimension(H x W x D):	Front body: 118 x 55 x 27.7mm
Finish:	Silver, Matte Black
Accessories available:	RFID Card, Override battery case
Card keys:	Cyber II RFID has 4 key levels: Owner key, Master key, Service key and User key.
Net Weight:	370g
Gross Weight:	415g(1 lock/box)
Packing:	10 boxes / ctn.(20 locks/ctn)
Carton Size:	425mm x 265mm x 175mm

Dimensions:



Card keys

Available to create master cards, to manage all lockers in the property.

Owner card:	1 key
Master card:	1 key
Service card:	12 keys
User card:	1 key

Functions:

Shared use

The user can select any free locker. Once occupied, the locker can only be opened by that specific card. Even though the card is not locker specific, it can only be used in one locker at a time.

Assigned use

The user can open the same number of locker as guest room number, it can only be used in the specific locker while guest keycard is still valid throughout the guest's stay.

Parts & Installation:

